

Application

- To transfer clean water with liquid temperature between 0°C and 40°C
- Applicable in water supply and drainage for factories, mines, municipal facilities as well as field irrigation, etc.

Features

- New unique design with ergonomic feature
- Portable and compact pump frame
- High quality motor with excellent performance and long service life
- Impeller designed with high efficient hydraulic system
- Low fuel consumption
- LEO engine as default, BS/Honda engine is optional

Pump

- Anti-rust cast iron diffuser
- Max. suction: 5 m/120 s
- Inlet/outlet: 50 mm/2 x 38 mm+1 x 50 mm
38 mm/1 x 38 mm+2 x 25 mm

Engine

- Single cylinder, 4-stroke, Air-cooled
- Max. power: 6.5 HP
- Displacement: 196 cc/208 cc
- Rated speed: 3600 rpm

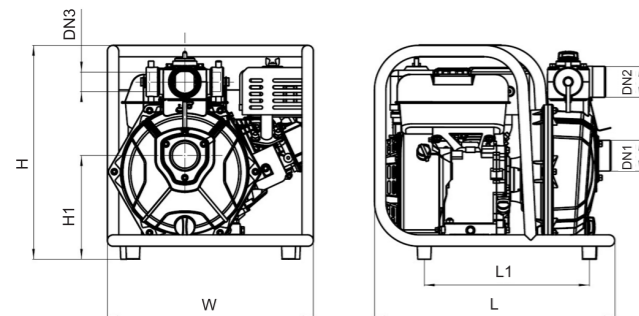
Identification Codes

LGP 20 - H(G,2G,3G,4G)



Technical Data

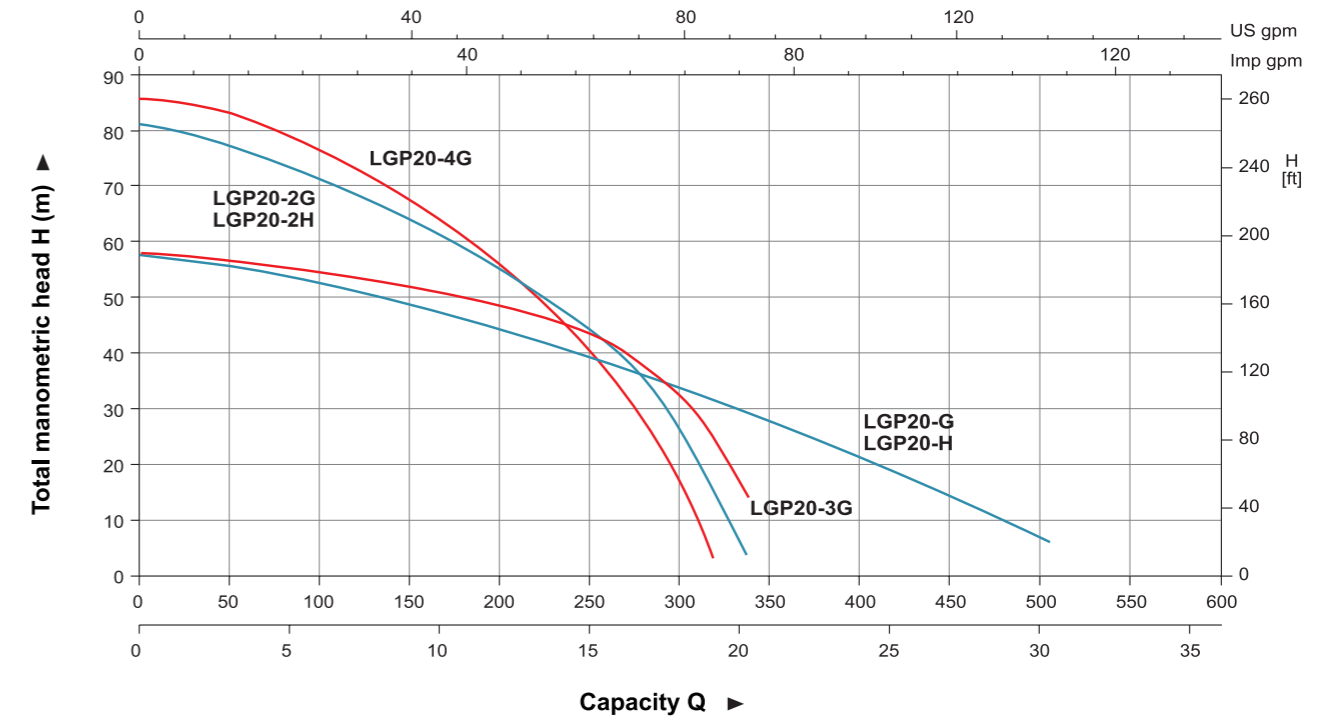
MODEL	POWER HP	Q (m ³ /h) Q (l/min)	0	5	10	15	20	25	30
			H (m)						
LGP20-H	6.5	0	58	51	45	38.5	29	19	6
LGP20-2H	6.5	83.3	81	72.5	60	45	5	-	-
LGP20-G	6.5	166.7	59	54	46.8	39	30	20	5.4
LGP20-2G	6.5	250	84	77.7	61.6	38.3	4.9	-	-
LGP20-3G	6.5	333.3	59	55.2	50	42.8	15	-	-
LGP20-4G	6.5	416.7	86	77.6	60.7	40	4.4	-	-



Dimension

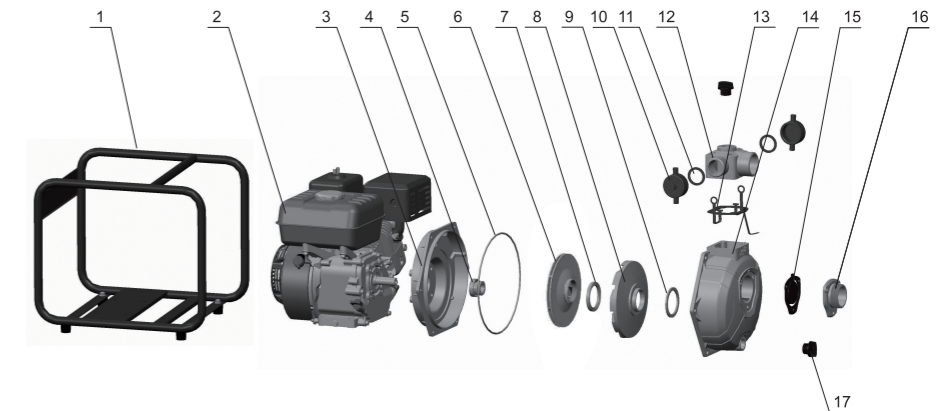
Model	DN1	DN2	2×DN3	L (mm)	W (mm)	H (mm)	H1 (mm)
LGP20-H	2"	2"	1.5"	463	397	412	200
LGP20-2H	2"	2"	1.5"	463	397	412	200
LGP20-G	2"	2"	1.5"	463	398	406	192.2
LGP20-2G	2"	2"	1.5"	463	398	406	192.2
LGP20-3G	1.5"	1.5"	1"	530	420	425	190
LGP20-4G	1.5"	1.5"	1"	530	420	425	190

Hydraulic Performance Curves



Materials Table

No.	Part	Material
1	Frame	Steel
2	Engine	
3	Bracket	Aluminum
4	Mechanical seal	Carbon/Ceramic
5	O-ring	NBR
6	Impeller	Aluminum
7	Seal ring	NBR
8	Diffuser	HT200
9	Seal ring	NBR
10	Pipe blanking cap	PP
11	Seal ring	NBR
12	Outlet	Aluminum
13	Gasket	NBR
14	Pump body	Aluminum
15	Non-return valve	NBR
16	Inlet	Aluminum
17	Filling plug	PA6



Package Information

Model	GW (Kgs)	L (mm)	W (mm)	H (mm)	Quantity (PCS/20 TEU)
LGP20-H	22.22	470	412	432	340
LGP20-2H	22.24	470	412	432	340
LGP20-G	22.3	470	412	432	340
LGP20-2G	22.3	470	412	432	340
LGP20-3G	26.2	545	435	480	233
LGP20-4G	27.2	545	435	480	233

